

Figure 1 Shaping Machine and drive belt system.

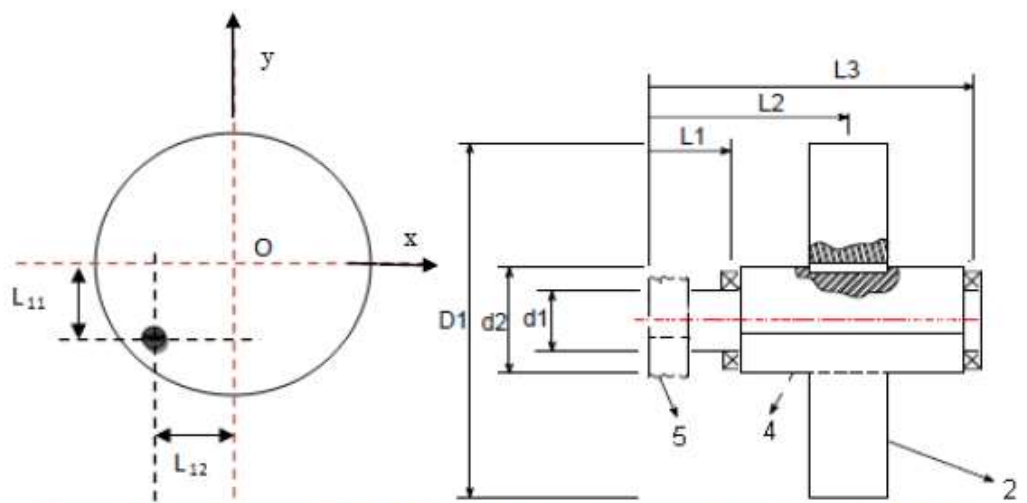


Figure 2 Front view of the link 5 at the maximum torque case and The Shaft.

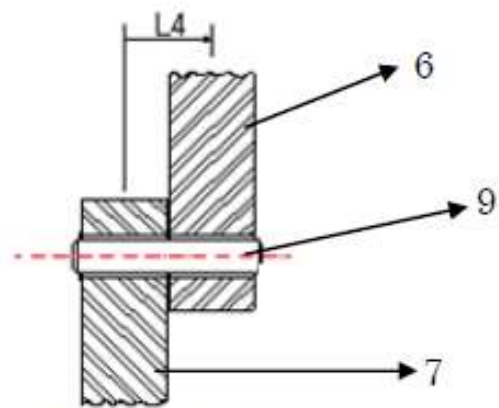


Figure 3 Pin B

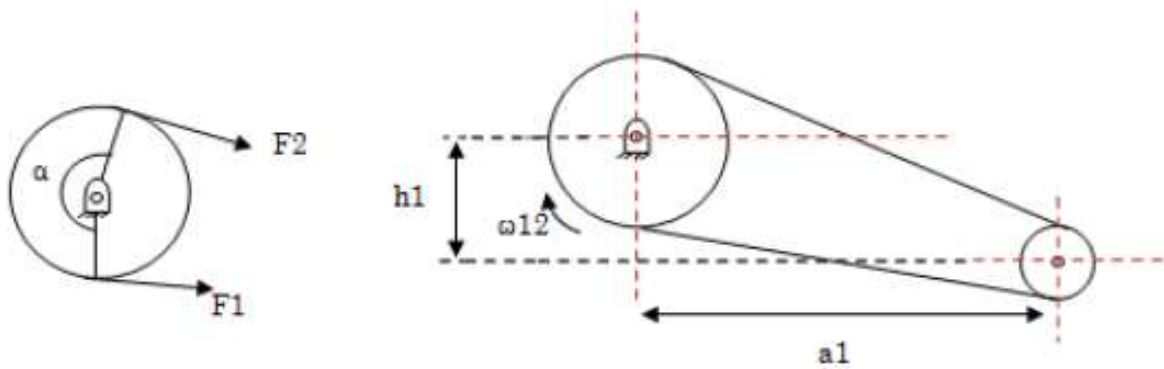


Figure 4 Sketch for the flywheel and the electric motor.

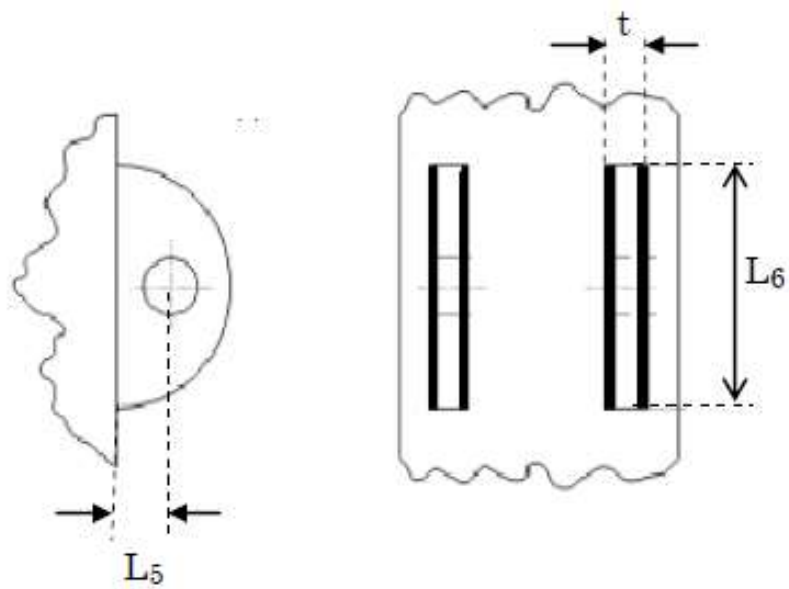


Figure 5 Sketch for the weld and bracket.